


Sundance® Spas 680™ McKinley™

Specifications

Dimensions:	89" x 89" x 36" (226 cm x 226 cm x 91.44 cm)	
Perimeter	356" (904.2 cm)	
Seating Capacity:	6-7 Adults	
Dry Weight:	778 lbs (357 kg)	
Filled Weight (Spa Volume):	5,166 lbs (2,343 kg)	
Filled Weight (Average Fill):	4,123 lbs (1,870 kg)	
Water Capacity (Spa Volume):	525 US Gal (1,987 Liters)	
Water Capacity (Average Fill):	400 US Gal (1,514 Liters)	
Controls:	Solid-State Electronic Controls with LCD Readout, Programmable Water Temperature, Filtration, and Heat Cycles	
Water Delivery:	2 High Flow Pumps	
Pump 1:	North America (60 Hz): 2-Speed/2.5 HP Continuous, 11.0A Max., 56 Frame Export (50 Hz): 2-Speed/2.0 HP continuous, 8.0A max.	
Pump 2:	North America (60 Hz): 1-Speed/2.5 HP Continuous, 10.0A Max., 56 Frame Export (50 Hz): 1-Speed/2.0 HP continuous, 8.0A max.	
Optional Pump 3:	N/A	
Total Hydrojets:	42	
Seat A Jets:	2 - SL, 4 - SL3R	
Seat B Jets:	2 - SL5	
Seat C Jets:	2 - SL, 8 - SLR, 1 - SL3	
Seat D Jets:	1 - SL5	
Seat E Jets:	2 - SL, 6 - SL3	
Seat F Jets:	4 - SL3R, 2 - SL5R	
Footwell Jets (G):	8 - SL	
Air Controls/Massage Selectors:	2/None	
Filter:	75 ft ² MicroClean® Mini™ Filter Cartridge System	
Water Treatment:	Factory installed CLEARRAY® unit	
Lighting:	LED Lighting System (Interior Surround); 2 Standard Exterior Lights	
Cabinet:	Available in Slate, Graphite	
Shell Colors:	North America: Platinum, Celestite, Monaco, Midnight, Porcelain Export (50 Hz): All North America Colors	
Headrests:	Four, 1-Piece Gray	
Heater:	North America (60 Hz): 5.5 kW, 240V High Flow Standard Export (50 Hz): 2.7 kW High Flow Standard	
Electrical Requirements:	240 VAC, 60 Hz@40A, 50A or 60A Export (50 Hz): 230-240 VAC@1x16A, 1x32A or 2 out of 3-phase (see manual); or Suitably Rated Circuit Breaker to Comply with Local Electrical Regulations. Certain Countries May Require 2 Power Inputs; Two GFCI/RCD Breakers are Required for This Configuration.	
Limited Warranty*	North America (60 Hz): 5 Years Shell, 3 Years Shell Surface, 3 Years Equipment and Controls, 3 Years Plumbing Component Leaks, 1 Year Cabinet, 1 Year Jets Export (50 Hz): 5 Years Shell, 3 Years Shell Surface, 3 Years Plumbing Component Leaks, 3 Years Equipment and Controls, 1 Year Cabinet, 1 Year Jets	
Alternative Insulation (Standard):	Yes (Insulation Panels)	
Waterfall Feature:	None	
Audio System (Optional):	N/A	
Special Features (Optional):	Factory Installed SmartTub® module	

*(See Warranty Document for Specific Details)

Dimensions/Specifications Subject To Change Without Notice

Sundance Spas 680 McKinley

Operation/Seat Depths



(A) Air Control 1 - Activates Seat A Jets (2 - SL, 4 - SL3R) + Seat B Jets (2 - SL5) + Seat C (2 - SL, 8 - SLR, 1 - SL3) + Seat D Jet (1 - SL5) + Footwell Jets (4 - SL)

(B) Air Control 2 - Activates Seat E Jets (2 - SL, 6 - SL3) + Seat F (4 - SL3R, 2 - SL5R) + Footwell Jets (4 - SL)

- Jets Pump 1: Powers Seat A Jets + Seat B Jets + Seat C Jets + Seat D Jet + 4 Footwell Jets when running

- Jets Pump 2: Powers Seat E Jets + Seat F Jets + 4 Footwell Jets when running

42 Total Jets



SL Jets (14)



SLR Jets (8)



SL3 Jets (7)



SL3R Jets (8)



SL5 Jets (3)



SL5R Jets (2)

Spa Operation Subject To Change Without Notice

SEAT DEPTHS

A = 25.63" (65.09 cm)

B = 23.00" (58.42 cm)

C = 27.00" (68.58 cm)

D = 22.13" (56.20 cm)

E = 27.25" (69.22 cm)

F = 26.75" (67.95 cm)

G = 20.00" (50.80 cm)

H = 30.00" (76.20 cm)

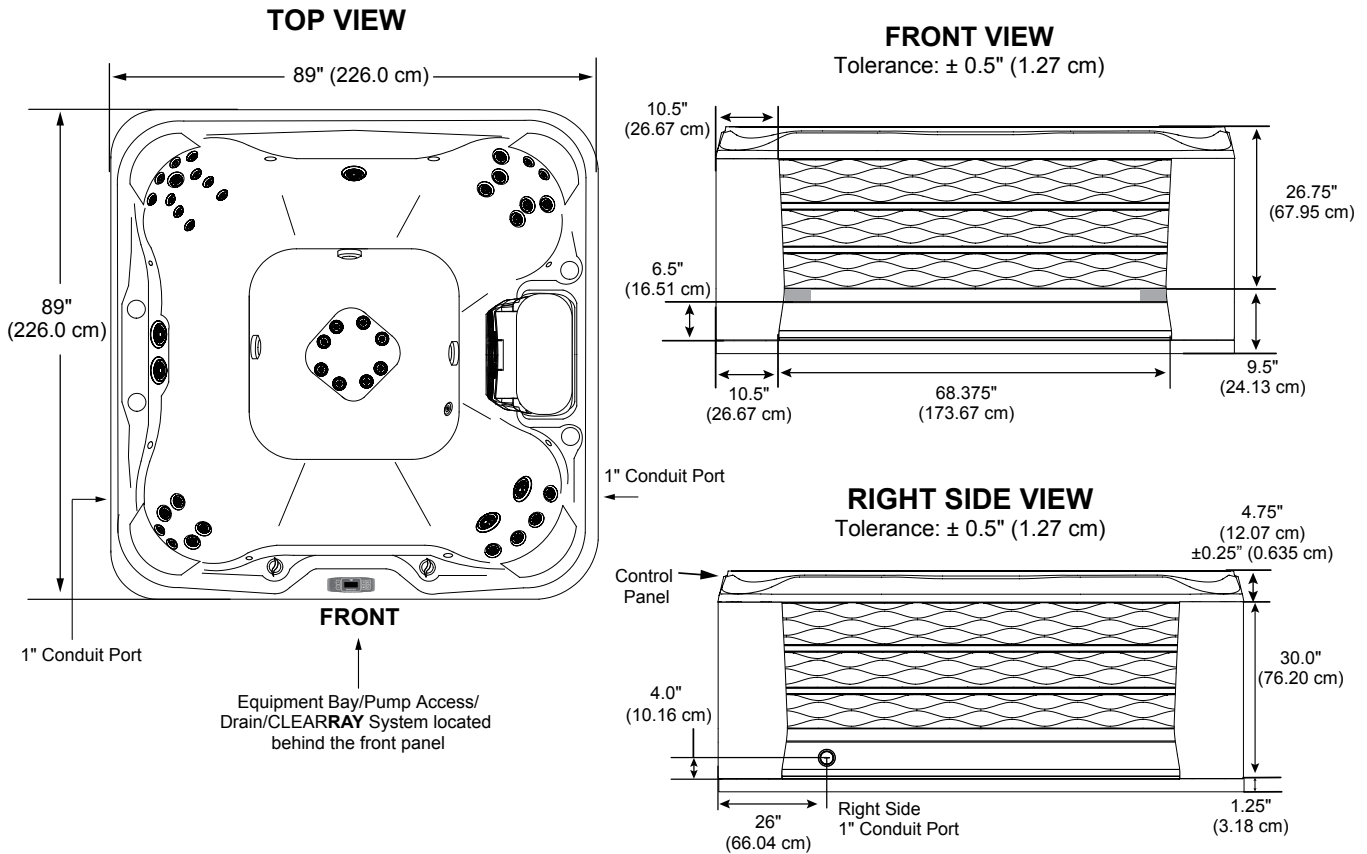
Listed dimensions represent distance from top of acrylic to lowest point in seat. **Tolerance ± 0.5" (1.27 cm).**



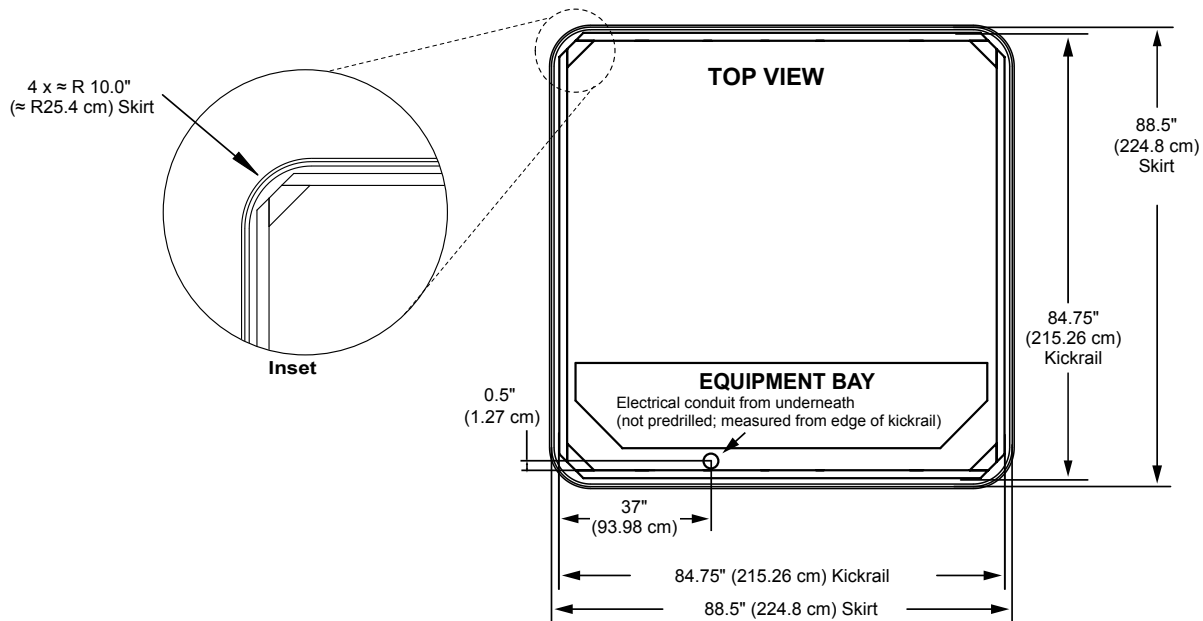
Dimensions/Specifications Subject To Change Without Notice

Sundance Spas 680 McKinley

Portable Dimensions



IMPORTANT! Always measure each hot tub for exact dimensions BEFORE designing its foundational support and/or decking.



Dimensions/specifications subject to change without notice. Tolerance: $\pm 0.5"$ (1.27 cm)

Dimensions/Specifications Subject To Change Without Notice